

The RBP stainless steel, economical single ended shear beam load cell is ideal for use in floor scales, bench scales, tank weighing, hopper weighing and conveyor scales.



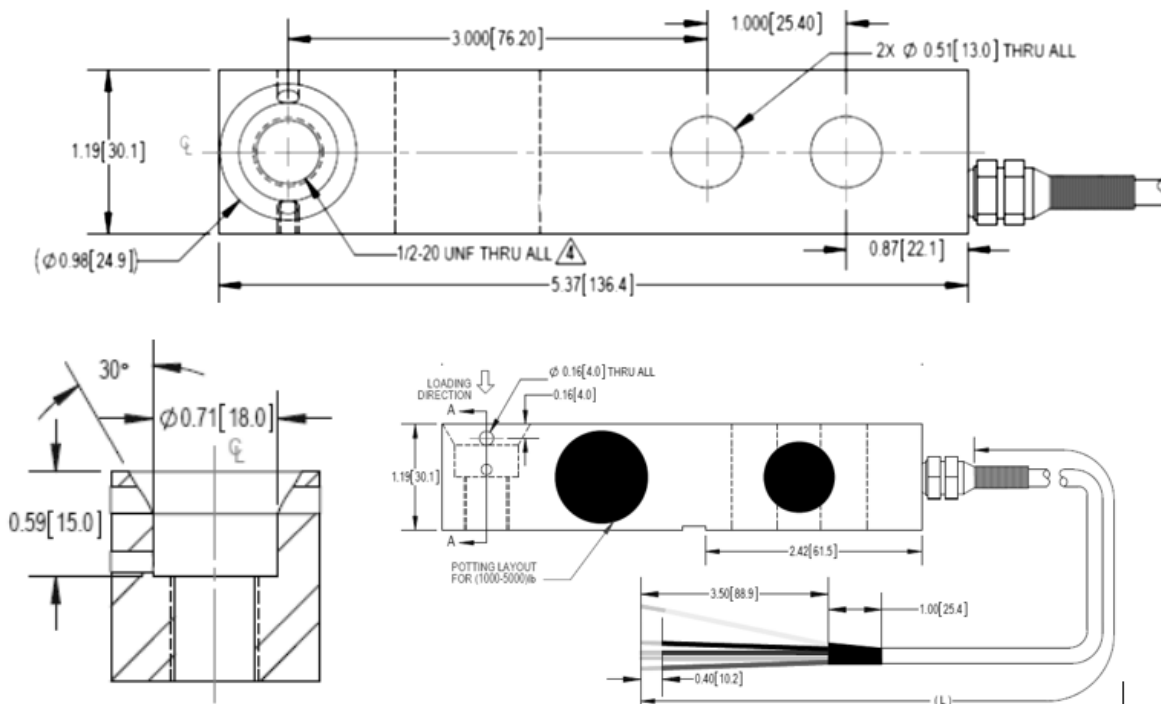
FEATURES

- Stainless Steel construction
- Environmental Protection IP67
- Capacities from 220lbs to 5000lbs
- Industry standard mounting dimensions
- CE approved

APPLICATIONS

- Floor scales
- Bench scales
- Tank weighing
- Hopper weighing
- Conveyor scales

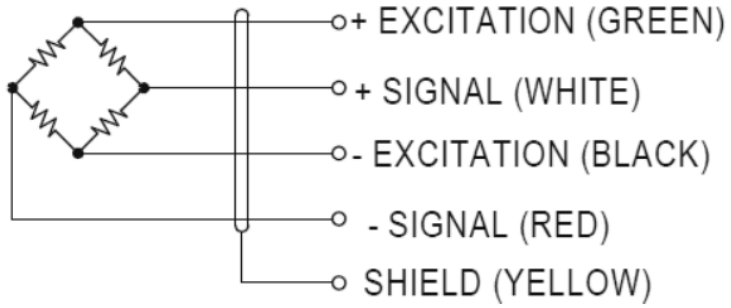
DIMENSIONS



SPECIFICATIONS

Model	RBP	
Capacities	lb	220, 500, 1000, 2500, 5000
Full scale output (FS)	mV/V	2.00± 0.1%
Calibration in mV/V/ Ω	%	≤±0.05
Combined Error	%FS	≤±0.03
Non Linearity	%FS	≤±0.0017
Hysteresis	%FS	≤±0.0017
Creep @30min	%FS	≤±0.0017
Zero Balance	%FS	≤±5
Temperature Effect		
Output	%FS/10°C	≤±0.04
Zero	%FS/10°C	≤±0.04
Temperature Range Compensated	°C	-10... +40
Temperature Range Operating	°C	-20... +65
Terminal Resistance		
Input	Ω	1165 ±30
Output	Ω	1000 ±5
Excitation Voltage	VDC	5...15
Insulation Resistance @50VDC	M Ω	≥5000
Safe Overload Limit	%FS	150
Ultimate Load	%FS	200
Cable Length	M	3 ^{+0.05} ₋₀
Cable Type		24AWG 4 conductor shielded black cable
Seal Type		IP67
Element Material		Stainless Steel

WIRING



PART NUMBERS

CAPACITY (LB)	PART NUMBER
220	1056-000-00
500	1056-001-00
1000	1056-002-00
2500	1056-003-00
500	1056-004-00