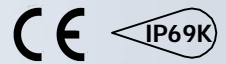
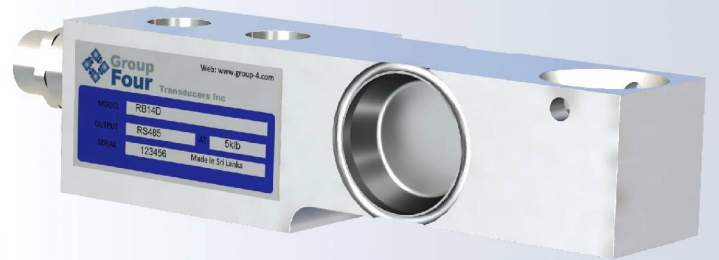


Digital single ended beam load cell constructed from stainless steel, ideal for use in floor scales and tank weighing systems.



FEATURES

- Capacities from 250lb to 5000lb.
- Stainless steel construction.
- Environmental protection IP69k.
- AD conversion rate up to 1200upd./sec.
- CE approved

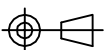
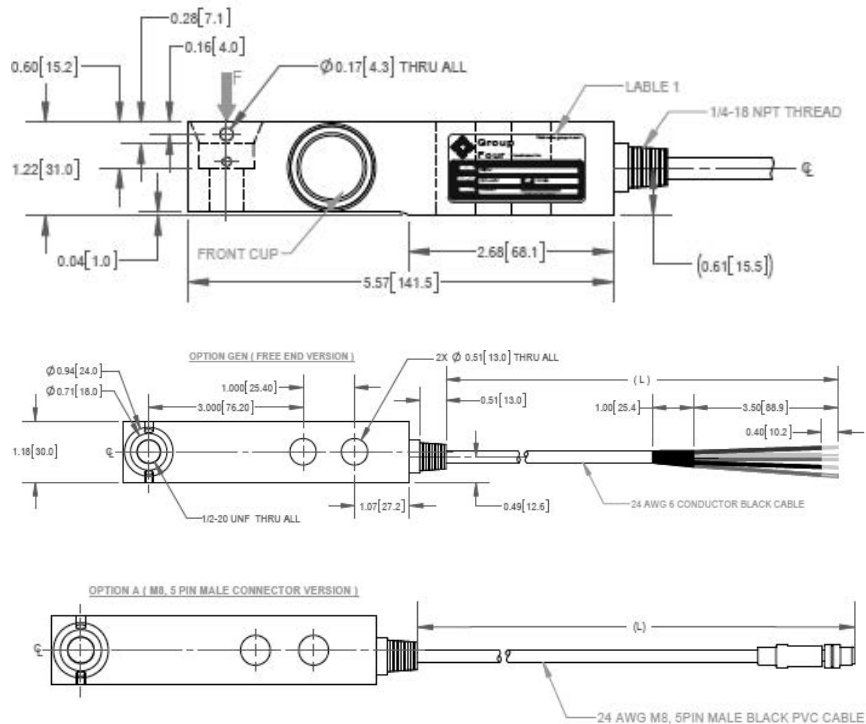
APPLICATIONS

- Platform scales, Tank weighing systems.

OPTIONS

- Load cells can be supplied with calibration certificates as per ASTM E74.

OUTLINE DIMENSIONS



digital single ended beam

RB14D

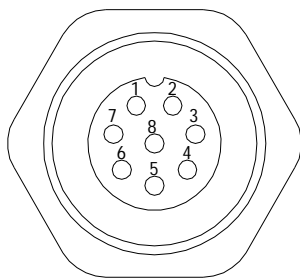
1032D



WIRING

Female Connector Signal Electronics M12AF0008		
Pin No.	RS-232+CAN	RS-485+RS-422
1	GND1	GND1
2	PROGRAM	PROGRAM
3	CANH	Rx+
4	TRIGGER INPUT	TRIGGER INPUT
5	CANL	Rx-
6	RxD	Tx-
7	TxD	Tx+
8	PWR+	PWR+

PIN CONFIGURATION



SPECIFICATIONS

Model	RB14D	
Capacities (E _{max})	lb	250-5000
PERFORMANCES		
Combined Error	%FS	≤±0.03
Creep @ 30min	%FS	≤±0.02
Zero Balance, raw counts	increments	±2000
Output resolution at full load, raw counts	increments	512000
Internal AD conversion rate	upd./sec	1200
Fix, Digital Low Pass IIR Filter, Default	Hz	18 (Supress 50Hz and 60Hz Influence)
Adjustable , Digital Low Pass IIR Filter	Hz	18-0.25; Selectable in 8 Steps
Adjustable , Digital Low Pass FIR Filter	Hz	40-5; Selectable in 8 Steps
Adjustable, External Output Update Rate	upd./sec	1200-9; Selectable in 8 Steps
GENERAL I/O's		
Hardware Interface, CAN Version	CAN and RS232	
Hardware Interface, RS Version	RS485 and RS422 (Both Four Wire)	
Data transmission rates CAN	kb	125;250;500;1000
Data transm. rates RS485/RS422/RS232		9.6;19.2;38.4;57.6;115.2;230.4;460.8
Protocol CAN	CAN Open	
Protocol RS485/ RS422/ RS232	ASCII or Modbus RTU	
Logical Input, Programmable	Trigger Level 2-30Vdc, <3mA, Ref to Gnd.	
Power supply	VDC	10-30 ≤ 0.4 Watt
Connections	Standard 8 pin, female M12AF0008	
INFLUENCES		
Safe Load Limit	%* E _{max}	150
Ultimate Load	%* E _{max}	300
Temperature Effect on Zero	%FS/°C	0.004
Temperature Effect on Span	%FS/°C	0.004
Temperature Range	°C	Operating: -10/+40 Storage: -40/+70
EMC performance	EN61326	MID Class E2 (Industrial Locations)
I/O Protection, All Pins	Reversed Polarity; Excess Voltage and Surge	
Isolation Body/ Electronics at 500VDC	GΩ	≥1
Vibration	2.5G Operational; 5G Non-Operational	
Environmental Protection	Body IP69k; Connectors IP68	
Corrosion Resistance	Stainless Steel, Electro polished	

PART NUMBERS

Capacity(lb)	Option	Part No.
250	RS232 + CAN	1032D-000-01
2500	RS232 + CAN	1032D-002-01

Dimensions and specifications subject to change without notice



Pioneering Measured Solutions

Group Four Transducers

22 Deer Park Drive,
E. Longmeadow, MA 01028
www.groupfourtransducers.com

Phone : (800) 419 1444
Fax : (413) 525 -6182
sales@group-4.com